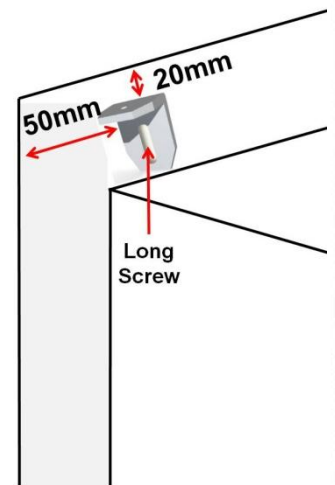


Step 1 – Double Check Measurements & Check for Obstacles:

- Unpack your blind and fittings.
- Hold the blind up to the position on the window you wish to install it to ensure measurements are correct.
- Also, check for any potential obstructions such as handles – to try and avoid these when installing.

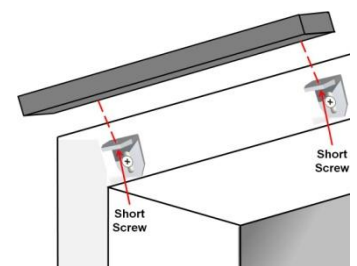
Step 2 – Fitting the brackets:

- Place the outer 2 "L" brackets 20mm below where you want the top of the Roman Blind to sit and 50mm in from the edge. (the blind will sit on top of the bracket, so you need to allow 20mm for this, so the top of the blind will fit flush exactly where you want it.)
- Screw the L bracket in place using the long screw provided, ensuring the longer edge of the L bracket is against the wall side.
- The elongated hole on the L bracket will allow minor adjustments up or down to ensure the brackets are placed evenly. Just loosen the screw, move the blind up or down and screw tightly back into position.
- If your blind is over 1200mm wide, then space additional brackets evenly between the 2 end brackets.



Step 3 – Fitting the blind:

- Use two people to do this job to ensure safety and no damage to your blind.
- Place the blind to sit on top of the L brackets.
- Screw from underneath the blind using the short screw provided, through the bracket and into the head rail.



Step 4 – Fit Child Safety Device

- Cord Operation: screw the cleat to the architrave using the screws provided, no lower than 1.6m from the floor.
- Ensure cords are always wrapped around the cleat and never left loose.



Please turn over to read warning →

WARNING:

To avoid creating a possible strangulation hazard for children, the corded internal window covering must be installed in such a way that loose cord or ball chain cannot form a loop 220mm or longer as measured along the perimeter of the cord. It should be secured at a height of more than 1600mm above floor level to ensure child safety.

A cord or ball chain guide may be installed lower than 1600mm above floor level, if the cord or ball chain is sufficiently secured or tensioned to prevent a loop of 220mm or longer being formed. If the cord or ball chain guide is installed lower than 1600mm above floor level, it must be installed so as to:

- A. prevent a child from being able to remove the cord or ball chain and;
- B. prevent a loop of 220mm or longer from being formed.