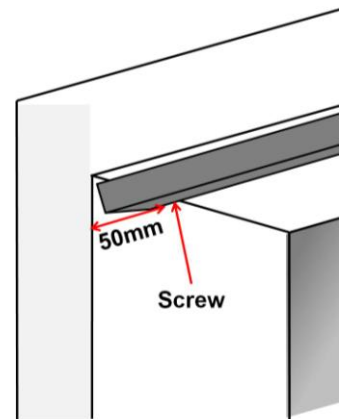


Step 1 – Double Check Measurements & Check for Obstacles:

- Unpack your blind and fittings.
- Hold the blind up to the position on the window you wish to install it to ensure measurements are correct. Use at least 2 people for this job.
- Also, check for any potential obstructions such as handles – to try and avoid these when installing.

Step 2 – Fitting the blinds:

- With 2 people holding the blind into position, screw through the underside of the blind, through the blind and into the architrave.
- The outer end screws should be approximately 50mm from the edge of the blinds
- For blinds up to 1200mm, 2x outer screws are sufficient.
- For blinds up to 1800mm 2x outer screws and 1x centre screw is sufficient.
- For blinds over 1800mm, 5x or more screws will be required.



Step 3 – Fit Child Safety Device

- Cord Operation: screw the cleat to the architrave using the screws provided, no lower than 1.6m from the floor.
- Ensure cords are always wrapped around the cleat and never left loose.



WARNING:

To avoid creating a possible strangulation hazard for children, the corded internal window covering must be installed in such a way that loose cord or ball chain cannot form a loop 220mm or longer as measured along the perimeter of the cord. It should be secured at a height of more than 1600mm above floor level to ensure child safety.

A cord or ball chain guide may be installed lower than 1600mm above floor level, if the cord or ball chain is sufficiently secured or tensioned to prevent a loop of 220mm or longer being formed. If the cord or ball chain guide is installed lower than 1600mm above floor level, it must be installed so as to:

- prevent a child from being able to remove the cord or ball chain and;
- prevent a loop of 220mm or longer from being formed.